

www.meiller-aufzugtueren.de



VERTICAL DOORS



PREMIUS® K4i Lifting Gate

PREMIUS® K4*i* Lifting Gate

Vertical car door

for goods and vehicle lifts

VERTICAL



DOORS



Full-area car door seal for safe separation between the lift car and the shaft wall.

Door panels from steel sheet available in all RAL colours as an option.

PREMIUS® K4i – convincing in safety and easy installation.

The new lifting gate from MEILLER is the perfect retrofit solution for industrial lifts with swing doors which are still operated without car doors. **PREMIUS® K4i** dimensioned as a 4-panel telescopic vertical door provides safe separation between the lift car and the shaft wall.

PREMIUS® K4i is the perfect complement also for a new lift with swing doors if there is not enough space for sliding doors.

The installation in new or in existing lifts is efficient yet easy.

PREMIUS® K4i needs only very little space, the car width remains fully unchanged, no door sill has to be installed. The lifting gate is combined with a MEILLER swing door from the DT3X series or with a standard retail swing door.

An unlocking cam is optionally available which is mounted to the door and activates the latch mechanism.

The door panels are made from 1.5 mm steel sheet with reinforcement ribs and are powder-coated to RAL 7004 Signal grey. Other RAL colours are available as an option.

A light curtain can additionally be used as a closing edge guard.

MEILLER Premium® K4i lifting gate – an intelligent solution

Plus points vertical door:

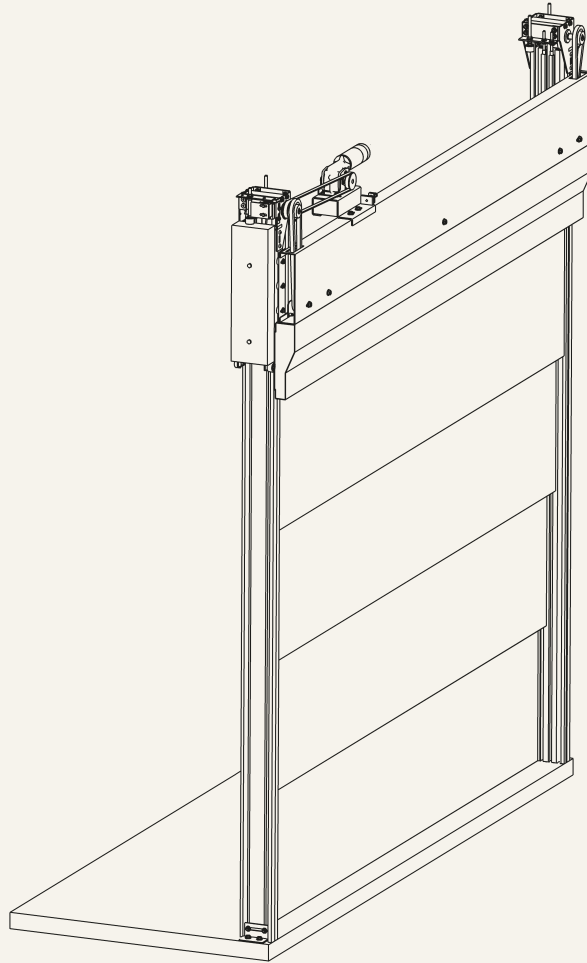
- No risk of lateral crushing injury
- Ideal for forklifts – no troublesome door sills
- Easy to install
- **PREMIUS® K4i** complies with EN 81-20

Door drive benefits:

- Intelligent **MiDrive** concept
- Fast and easy commissioning with smartphone app:
Simply scan the QR code to configure the drive with perfectly coordinated parameters
- Optimised motor performance results in demonstrable increase in drive efficiency
- CANopen interface as standard
- Protection class IP 54 as standard
- Optical coupling of two drive units (landing and car door) possible (master-slave controller)
- Eco and EcoPlus energy-saving modes as standard
- Sophisticated energy management system that controls energy consumption
- Electric interlock activation – no separate power supply
- Standard servo mode supports opening of large and heavy doors
- Condition monitoring: lifetime data is logged to provide information on door condition



PREMIUS® K4i Lifting Gate – Dimensions



Door model	Door width	Door height
PREMIUS K4 lifting gate	DW = 1000 - 3000 mm	DH = 2000 - 4000 mm



Meiller Aufzugtüren GmbH

Ambossstraße 4
80997 München

Phone: +49 89 1487 – 0

Fax: +49 89 1487 – 1566

E-Mail: info@meiller-aufzugtuere.de

www.meiller-aufzugtuere.de



MADE IN GERMANY