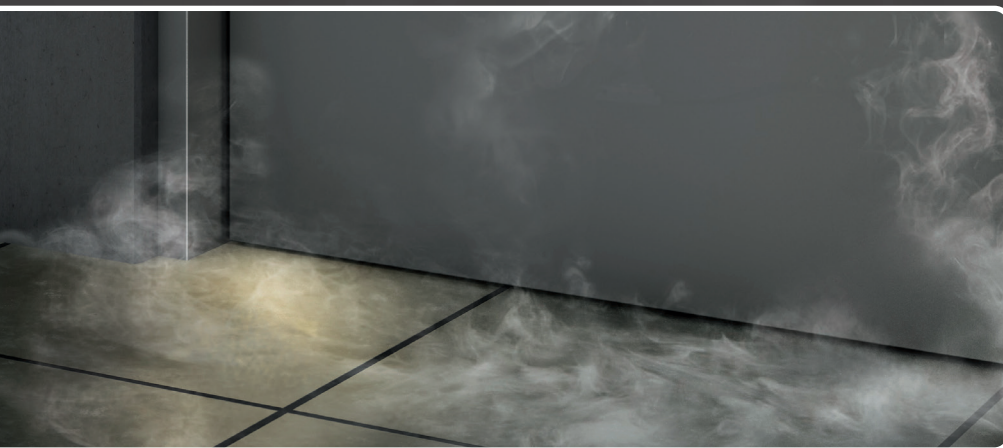


www.meiller-aufzugtuere.de



SmokeGuard[®]



Lift doors with integrated smoke protection system

Lift doors with integrated smoke protection system



SmokeGuard®

Ever since the catastrophic fire in Grenfell Tower in London in 2017, calls for smoke protection in lift doors have become increasingly loud.

Due to the requirements of door performance, it is virtually impossible to fit a smoke protector in the panel of a lift door. This means that there is only one way of preventing smoke from escaping through the door and spreading through the lift shaft into other floors, thus impairing escape routes - and this is to install an established smoke protection product together with the landing door, in such a way that the door's fire certification criteria are not impaired in any way.

MEILLER has developed the solution to this problem in the form of **SmokeGuard**:

Landing doors, fire-tested in accordance with EN 81-58, are installed in combination with a smoke protection curtain made by a renowned

manufacturer. This makes it possible to channel the smoke at the front of the lift door. It means that smoke can be diverted safely away, thus significantly increasing the available evacuation time in the building.

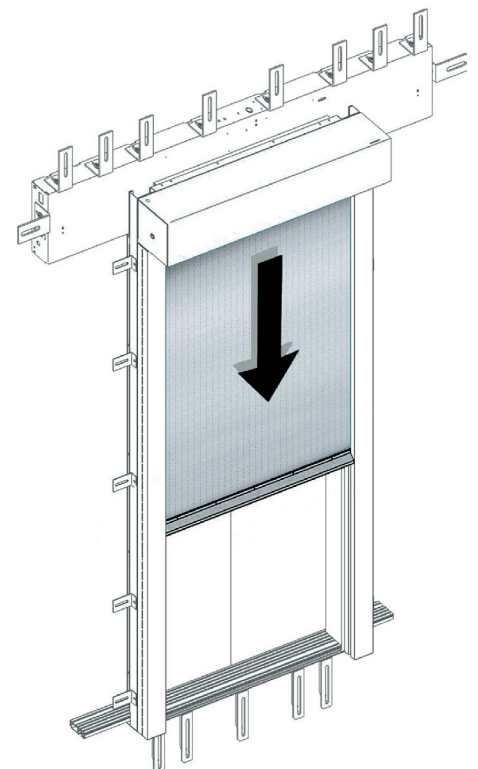
All STS and TTS EvoN doors built in accordance with EN 81-58 can be ordered with **SmokeGuard**® fitted ex works. The combination has been tested and confirmed by an accredited fire institute.

Using the smoke curtain's universal controller, the curtain can be set to activate in all imaginable scenarios and flexibly adapted to the fire protection concept. It is triggered either through the lift controller or by the fire alarm centre.

This makes **SmokeGuard**® the first smoke protection solution on the market for lift landing doors and has been awarded utility model protection.

Quality Features of SmokeGuard®

- Smoke channelled at the front of the lift door
- Guarantee of fire-protection criteria and compliance with EN 81-58 and ISO 3008
- Smoke-protection curtain in accordance with DIN EN 12101-1
- Can be modified in line with the fire protection concept
- Increased available evacuation time
- Universal activation scenarios
- No impairment in terms of performance, speed, noise level and energy



SmokeGuard® - Dimensions

Door design (steel, double skin)	Clear door width (CDW)	Clear door height (CDH)
Centre-opening, 2-panel, S-2-Z	DW = 700 - 1700 mm	DH = 2000 - 3000 mm
Side opening, 2-panel, S-2-R/L	DW = 700 - 1700 mm	DH = 2000 - 3000 mm
Centre-opening, 4-panel, S-4-Z	DW = 700 - 2780 mm	DH = 2000 - 3000 mm
Side opening, 3-panel, S-3-R/L	DW = 700 - 2000 mm	DH = 2000 - 3000 mm
Centre-opening, 6-panel, S-6-Z	DW = 1050 - 3500 mm	DH = 2000 - 3000 mm

Door design (steel, double skin with vision panel)	Clear door width (CDW)	Clear door height (CDH)
Centre-opening, 2-panel, S-2-Z	DW = 700 - 1500 mm	DH = 2000 - 2445 mm
Side opening, 2-panel, S-2-R/L	DW = 700 - 1500 mm	DH = 2000 - 2445 mm
Centre-opening, 4-panel, S-4-Z	DW = 700 - 2780 mm	DH = 2000 - 2445 mm
Side opening, 3-panel, S-3-R/L	DW = 700 - 1800 mm	DH = 2000 - 2445 mm
Centre-opening, 6-panel, S-6-Z	DW = 1050 - 3300 mm	DH = 2000 - 2445 mm



Meiller Aufzugtüren GmbH

Ambossstraße 4
80997 München

Phone: +49 89 1487 – 0

Fax: +49 89 1487 – 1566

E-Mail: info@meiller-aufzugtuere.de

www.meiller-aufzugtuere.de