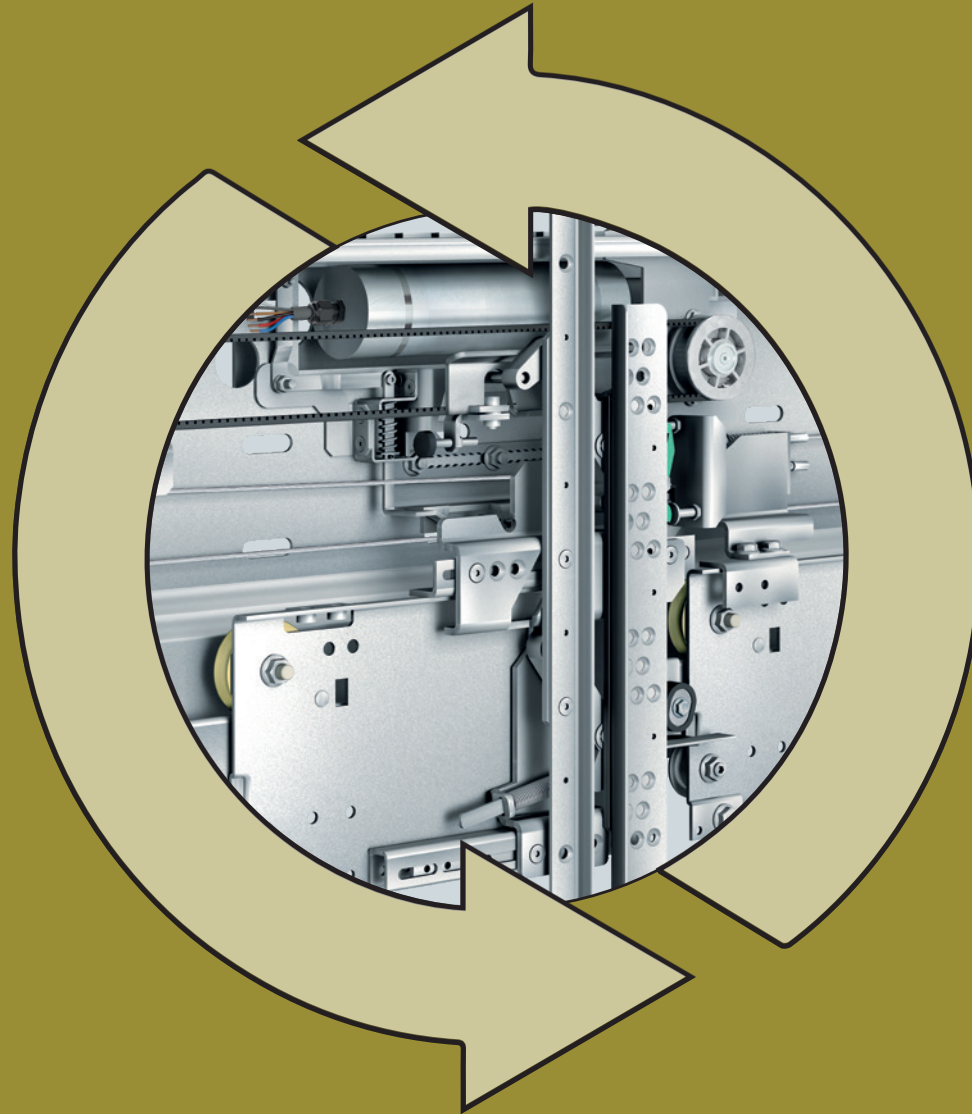


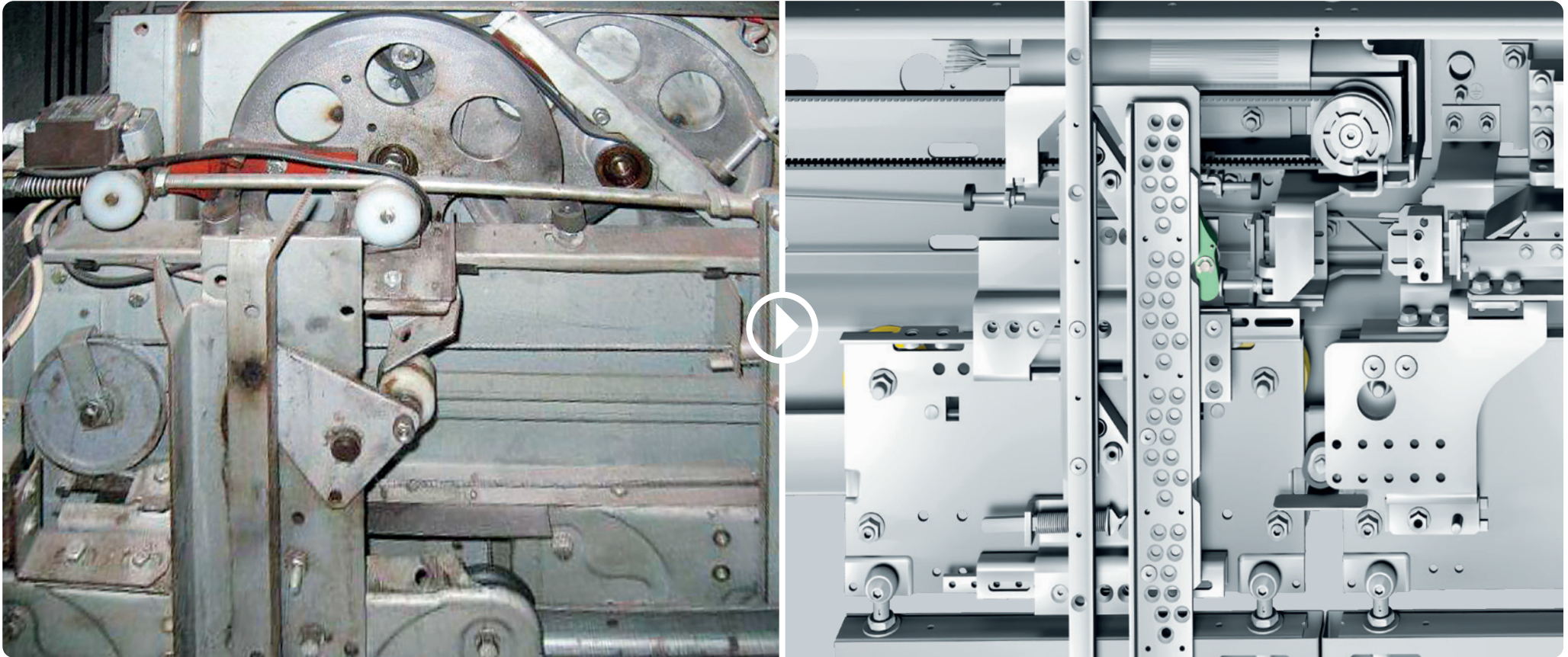
www.meiller-aufzugtueren.de



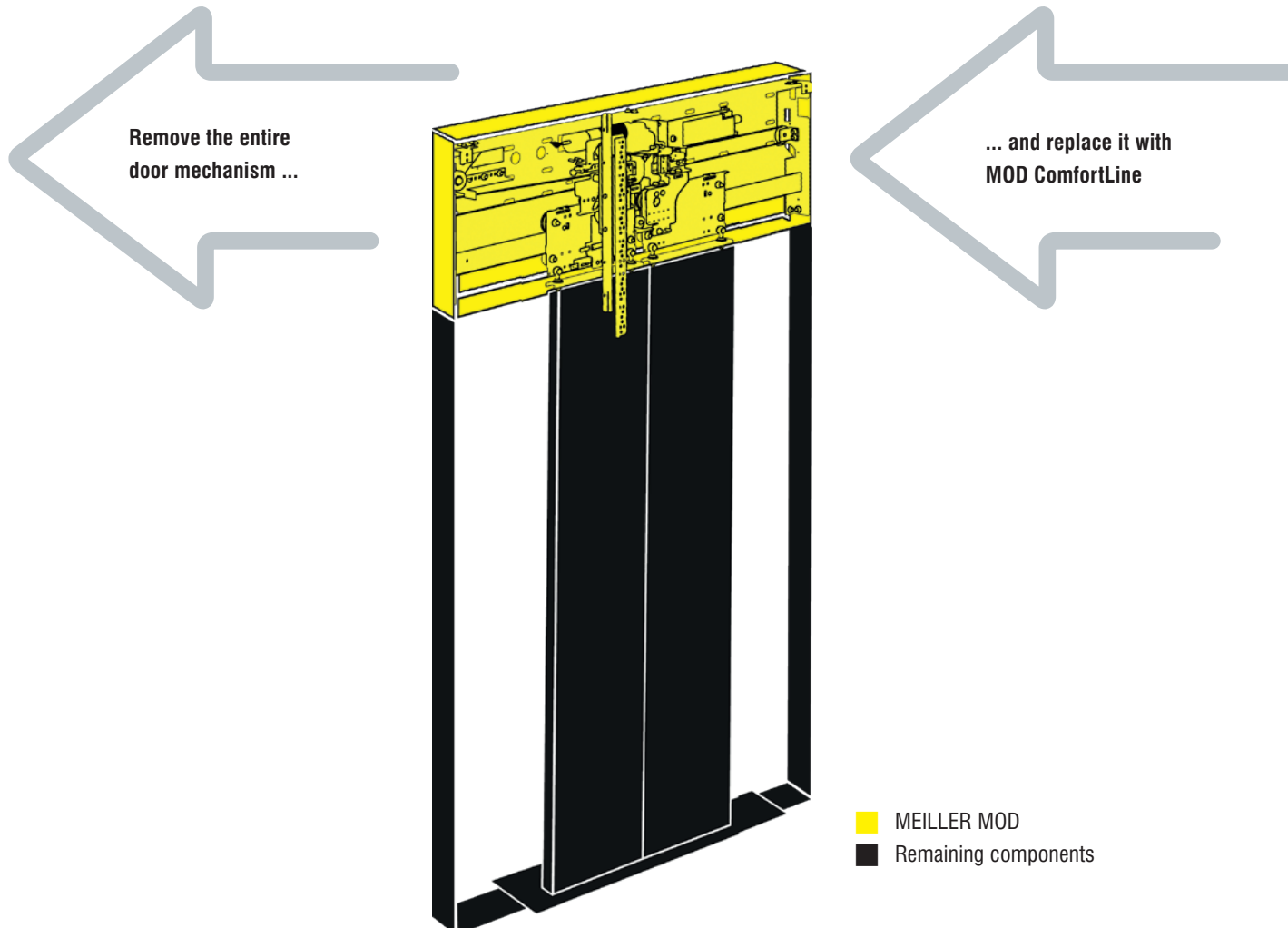
Modernising car doors simply and efficiently

MOD SOLUTIONS

Modernisation solutions for car doors



MEILLER MOD: That's how it works today!



MOD ComfortLine

The car door has to withstand more wear and tear than virtually any other part of the lift. Once the mechanism is worn, the door movements become bumpy.

The modernisation solution **MOD ComfortLine** restores the smoothness and comfort of new doors to your existing lift.

The mechanism and door drive are modified to suit the remaining panels in the car door.

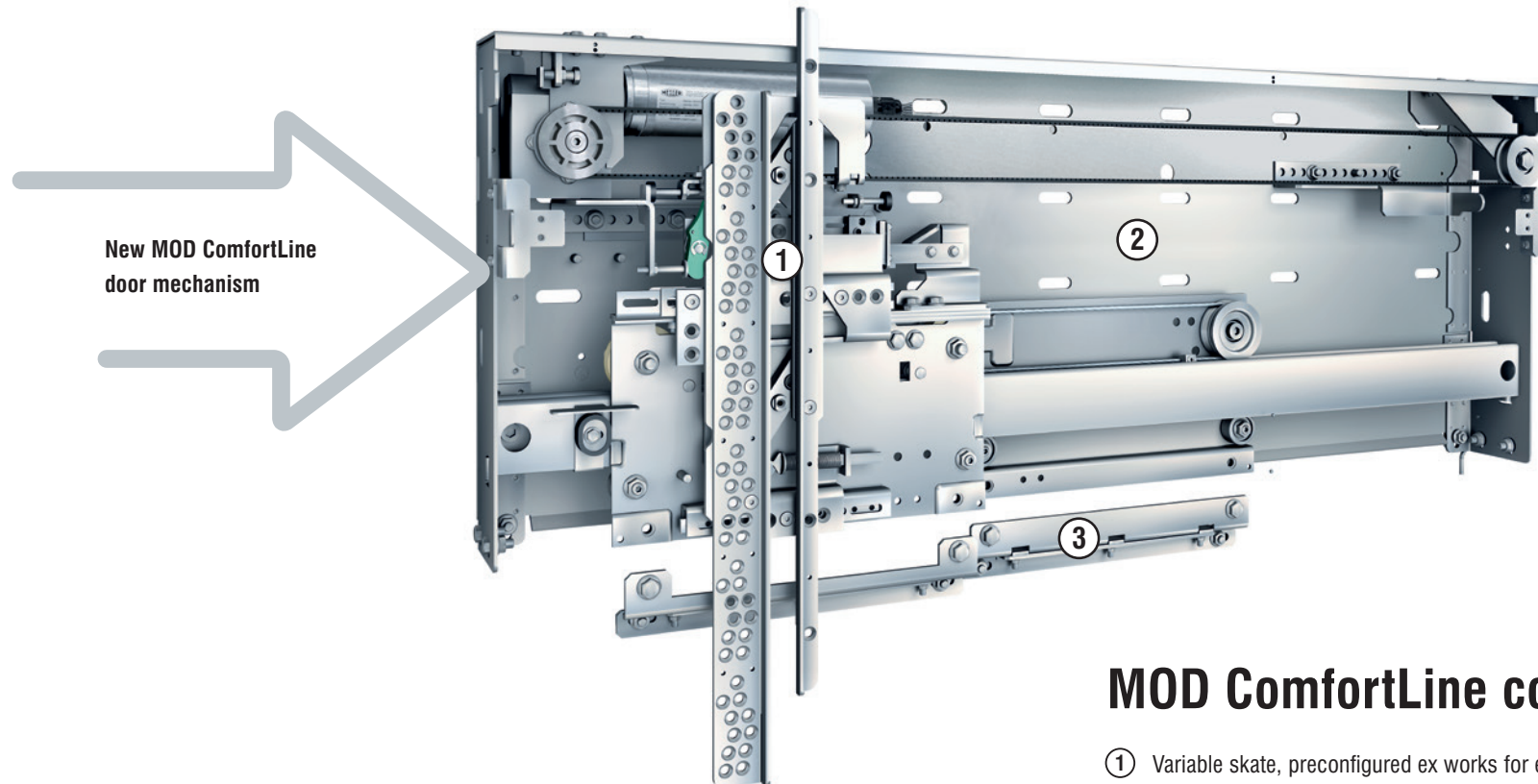
Easy to install using the mounting kit supplied.

No further modifications of the lift car or car door return are required.

Existing landing doors remain in place.

MOD ComfortLine - The perfect solution for increasing availability and comfort of your lift.

Modernisation solutions for car doors

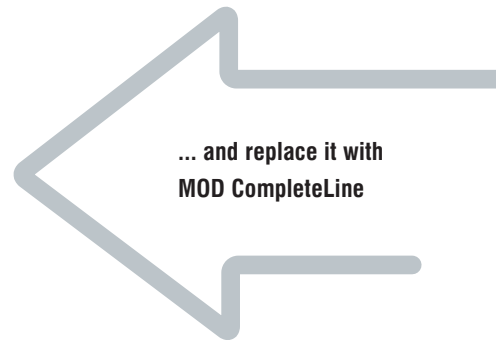
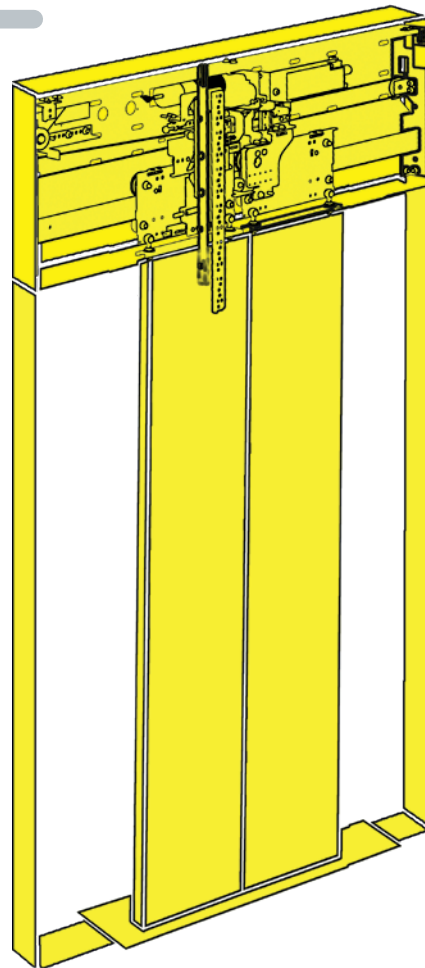


MOD ComfortLine components

- ① Variable skate, preconfigured ex works for existing landing doors
- ② Transom with door mechanism and drive
- ③ Adapter for connecting to existing door panels



Remove the old
car door ...



... and replace it with
MOD CompleteLine

■ Car door with defined interfaces

MOD CompleteLine

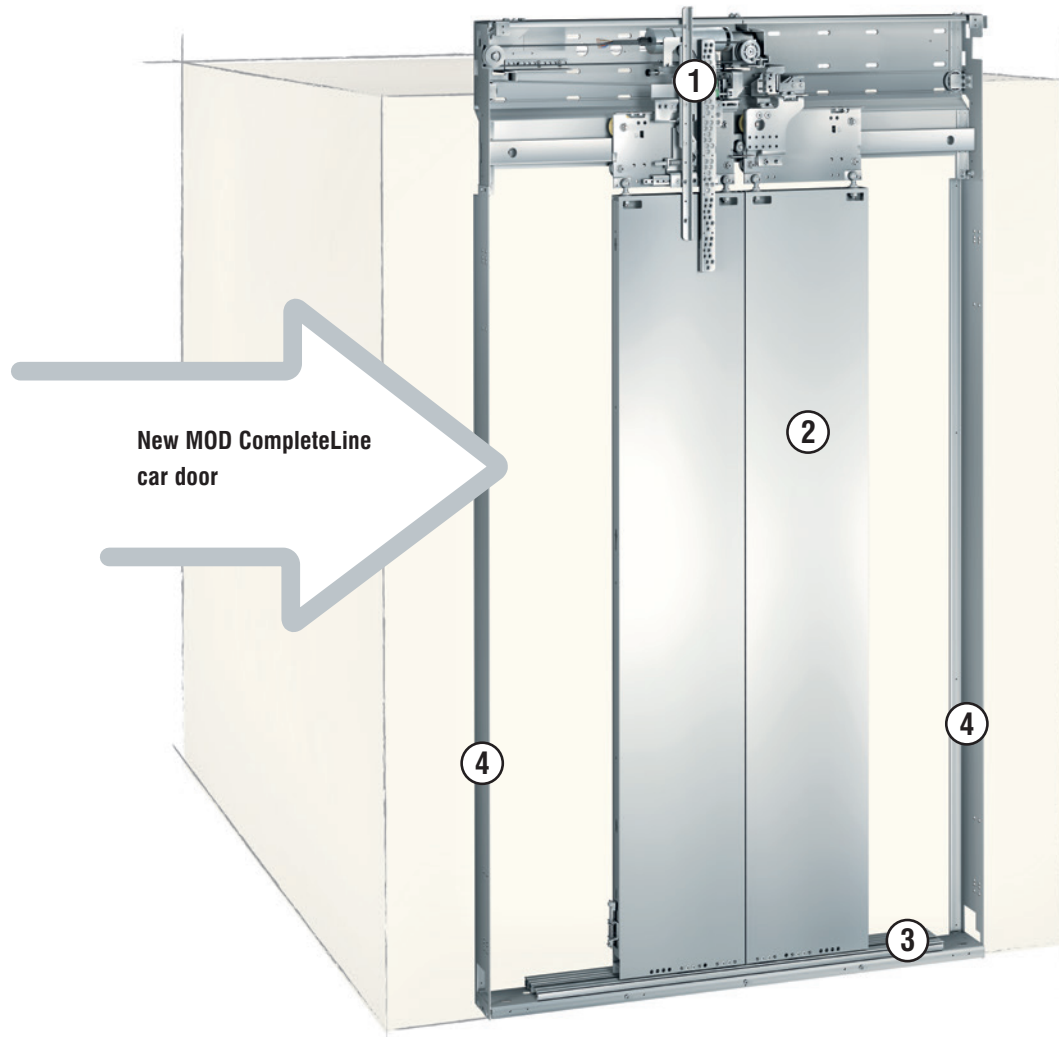
When a lift car is replaced, one of the main challenges is to attach the new car door to the existing landing doors.

A car door with defined interfaces simplifies the linking process with the lift car.

The existing landing doors remain in place.

MOD CompleteLine - The perfect solution for lift car modernisation.

Modernisation solutions for car doors


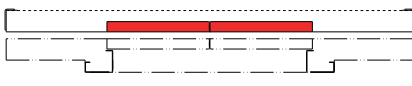




MOD CompleteLine

- ① Transom with door mechanism, drive and variable skate
- ② Double skin car door panels
- ③ Sill including substructure
- ④ Side frame parts

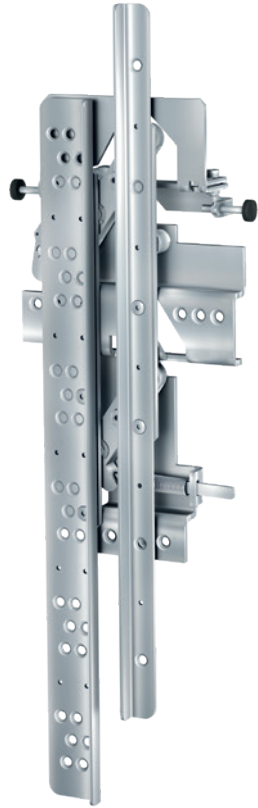
Recommended application for renewing a lift car.

Car types and dimensions

Two-panel telescopic (T2)	Two-panel centre-opening (C2)	Three-panel telescopic (T3)	Four-panel centre-opening (C4)
CDW = 700 - 1400 mm	CDW = 700 - 1400 mm	CDW = 700 - 1400 mm	CDW = 1200 - 2400 mm
CDH = 1800 - 2600 mm	CDH = 1800 - 2600 mm	CDH = 1800 - 2600 mm	CDH = 1800 - 2600 mm
			



Skate



Variable spreading skate



Variable clamping skate



Spreading skate with rollers

Skates also enable fitting of a locking device or car door interlock (pursuant to EN 81-20/50)

Dimension sheets for issuing quotes

Modernisation solution

MOD ComfortLine

MOD CompleteLine

Landing door interface

Code	Width	Height
ASS	118	200 mm
SMDC	118	200 mm
SMSC	118	200 mm
SMC	118	200 mm
SMC-D	118	200 mm
SMC-DL	118	200 mm
SMC-DL	118	200 mm
SMC-DL	118	200 mm
SMC-DL	118	200 mm
SMC-DL	118	200 mm
SMC-DL	118	200 mm



Click me!

Code	Width	Height
ASS	118	200 mm
SMDC	118	200 mm
SMSC	118	200 mm
SMC	118	200 mm
SMC-D	118	200 mm
SMC-DL	118	200 mm
SMC-DL	118	200 mm
SMC-DL	118	200 mm
SMC-DL	118	200 mm
SMC-DL	118	200 mm
SMC-DL	118	200 mm



Click me!

Car door interface

Modernisation of car door mechanism complete with drive, adapter plates for door panel mountings

Modernisation of car door complete with drive, MEILLER standard door panels and MEILLER standard sill

Code	Width	Height
ASS	118	200 mm
SMDC	118	200 mm
SMSC	118	200 mm
SMC	118	200 mm
SMC-D	118	200 mm
SMC-DL	118	200 mm
SMC-DL	118	200 mm
SMC-DL	118	200 mm
SMC-DL	118	200 mm
SMC-DL	118	200 mm
SMC-DL	118	200 mm



Click me!

Code	Width	Height
ASS	118	200 mm
SMDC	118	200 mm
SMSC	118	200 mm
SMC	118	200 mm
SMC-D	118	200 mm
SMC-DL	118	200 mm
SMC-DL	118	200 mm
SMC-DL	118	200 mm
SMC-DL	118	200 mm
SMC-DL	118	200 mm
SMC-DL	118	200 mm



Click me!

Modernisation solutions for car doors

Component List

	Door drive	Transom	Door panel adapter	Meiller door panels	Meiller aluminium sill	Pendulum shock test pursuant to EN 81-20/50	Restrictor	Car door lock
MOD ComfortLine	✓	✓	✓	–	–	–	optional	optional
MOD CompleteLine	✓	✓	–	✓	✓	✓	optional	optional

Recommended application	Existing lift car	New lift car	Existing landing door
MOD ComfortLine	✓	–	✓
MOD CompleteLine	–	✓	✓

Our MOD solutions - Your benefits

Enhancing the value of your lift installation

- > State-of-the-art technology
- > Improved running characteristics
- > Complies with EN 81-20 standard (optional)
- > Minimum gap dimensions thanks to new components

Increased cost-effectiveness

- > Door drive, door contacts, rollers, cables, guides, etc. replaced with the latest MEILLER components
- > Reduced fault frequency
- > Low energy consumption

Benefits to operators and residents:

- > Smoother running for greater travel comfort
- > No dirt or noise in the corridors, all work performed in the shaft
- > No coordination necessary with other works

Lower cost than complete replacement of car and landing doors

- > Short installation time
- > MEILLER MOD solutions are generally cheaper to realise than replacing all the doors
- > No complex follow-up work by builders, floorers or tilers



Meiller Aufzugtüren GmbH

Ambossstraße 4
80997 München

Phone: +49 89 1487 – 0

Fax: +49 89 1487 – 1566

email: info@meiller-aufzugtueren.de

www.meiller-aufzugtueren.de