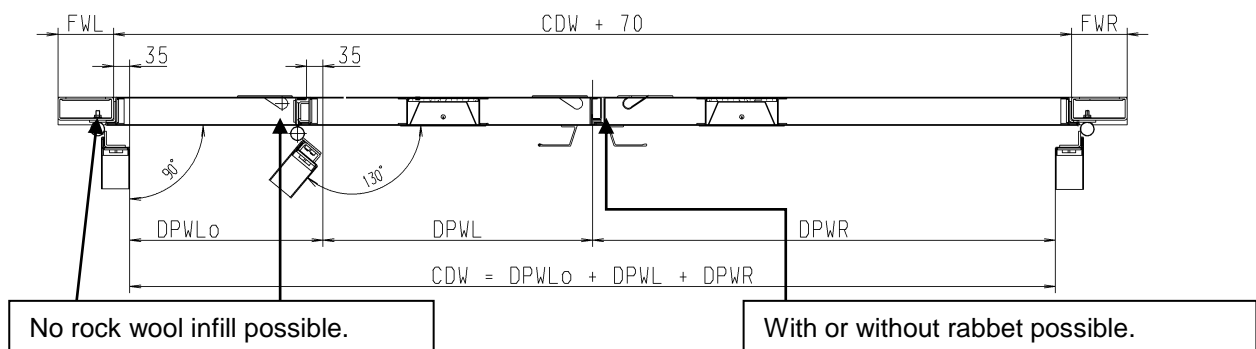
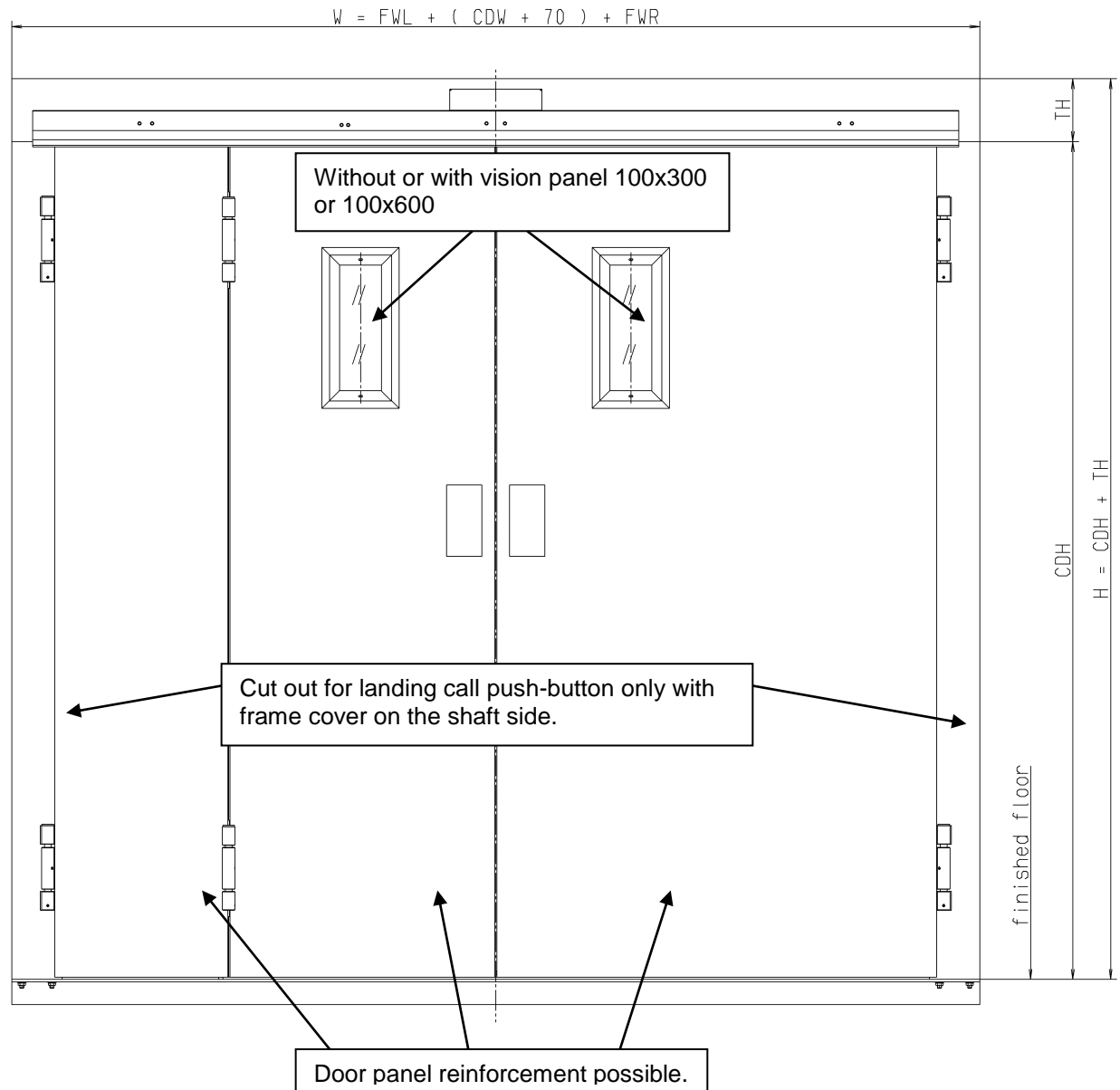


Dimensional range according to EN 81-58 Swing landing door DT 39/3

Swing landing door DT39/3 shown



subject to modifications



Dimensioned Sheet

M EN 8200 3002 415

06.07.2011 / WIL

Revision:
Datum / Name

Page 2 of 2

Dimensions

		min. [mm]	E120 EW60 max. [mm]	E120 EW30 max. [mm]
CDW	Clear door width	1400	2350	3180
CDH	Clear door height	-	2480	2700
FWR	Frame width right	60(100*)	300	
FWL	Frame width left	60(100*)	300	
TH	Transom height	150	200	
DPWR(L)	Door panel width right (left)	600	1625 without DPWRo(Lo)	
			1425 with DPWRo(Lo)	
DPWRo(Lo)	Door panel width outside right (left)	200	1000	
DPWRo(Lo) + DPWR(L)	Door panel width outside right (left) + Door panel width right (left)	800	1625	
W	Total width of the door	-	2540	3450
H	Total height of the door	-	2580	2900

Dimension (100*) applies to:

DPWR(L) > 1400 mm or DPWRo(Lo) + DPWR(L) > 1400 mm

Note:

Swing doors according classification EI not possible.

The door according to EN 81-58 is to be fixed in the masonry / concrete shaft (see installation instructions 8200 3006 219, section 11).

After installation the door in the masonry / concrete shaft, the resulting air gaps must be closed by approved materials according to DIN 4102-1 Fire behavior of building materials and elements Part 1: Building materials; class A.