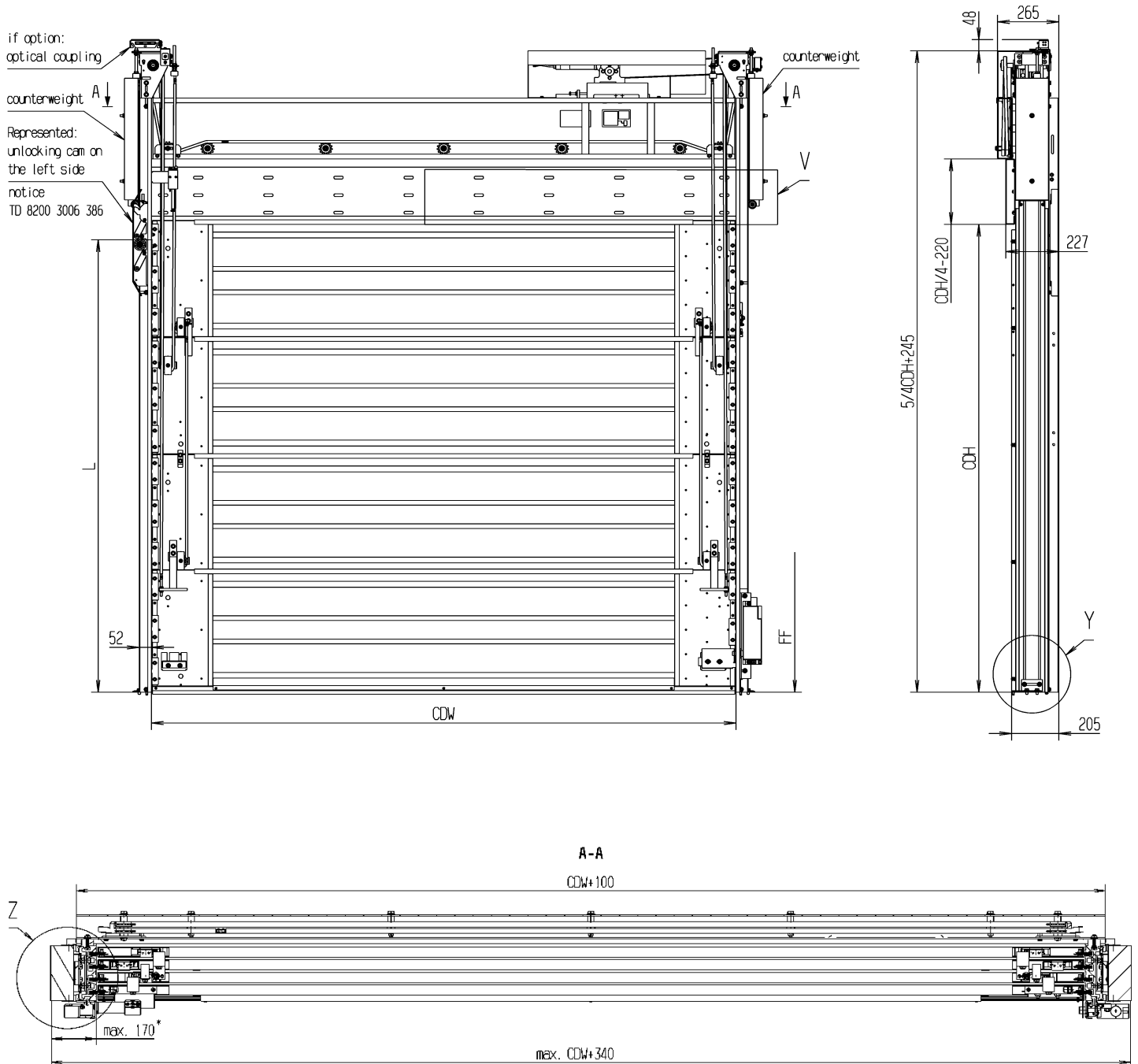
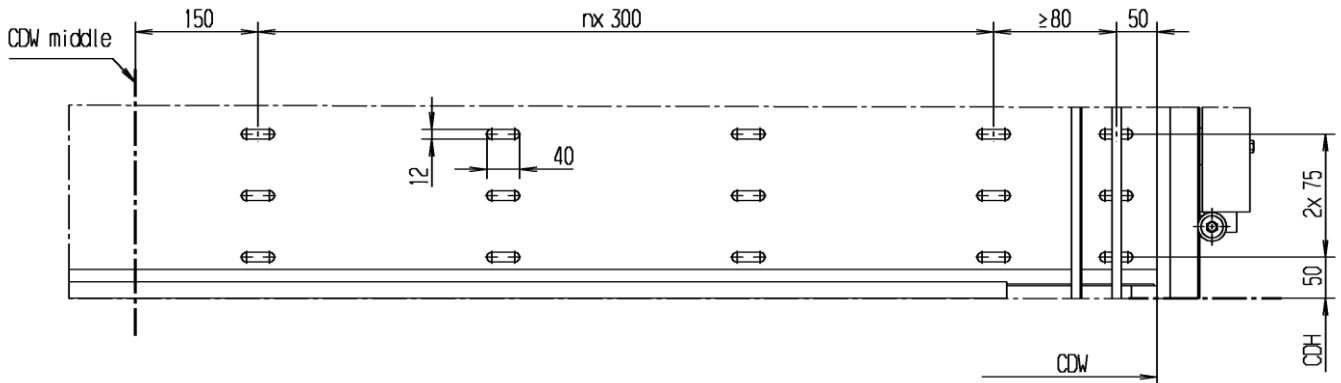


Vertical Car Door PREMIUS K 4i



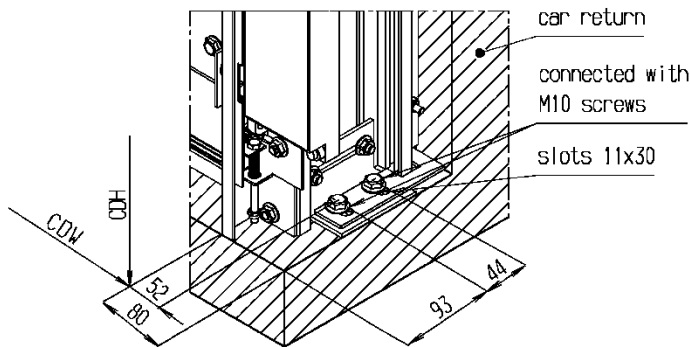
CDW	= clear door width
CDH	= clear door height
FF	= finished floor
L	= height of lock roller

Detail V



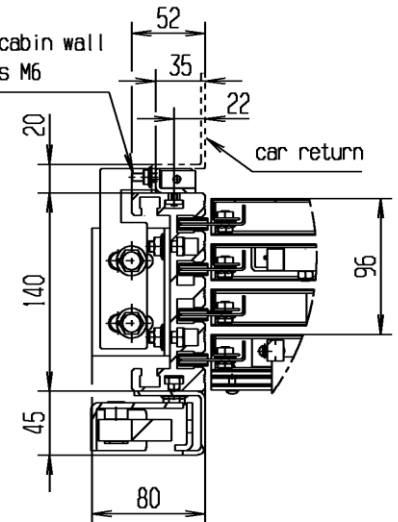
Detail Y

mounting option 1:



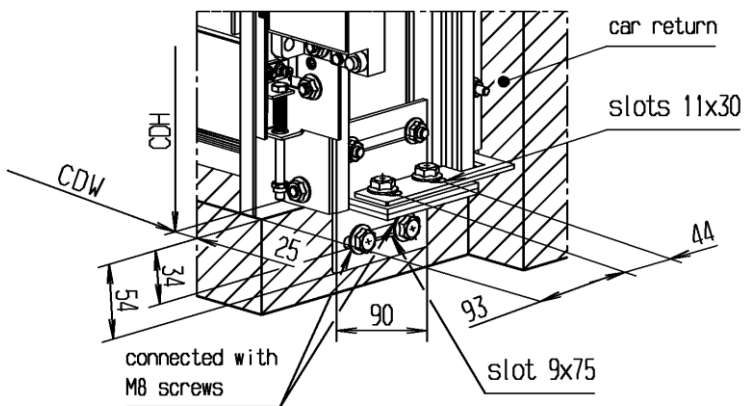
Detail Z

Mounting option cabin wall at press-in studs M6



Detail Y

mounting option 2:



Changes in dimensions reserved



Dimension Sheet

M EN 8200 3002 372 g

15.10.2015 / STO

Change.: 0088233

29.04.2019 / STO

Page 3 of 3

*Width dimension depends on CDW/CDH:

With powder coated panels:

		CDH
CDW		2000-4000
	1000-1800	120
	1900-2300	130
	2400-2700	140
	2800-3000	150

With cladded panels::

		CDH
CDW		2000-4000
	1000-1300	120
	1400-1600	130
	1700-2000	140
	2100-2300	150
	2400-2600	160
	2700-3000	170